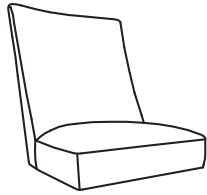


ASSEMBLY INSTRUCTIONS
KENSINGTON PARSON CHAIR
HERITAGE PARSON CHAIR

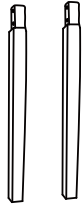
ITEM NO.: 2668-02/2668-12/1968-02
DEMENSION: W21.45" X D 25.6" X H 36.6"

PART LIST

(A) Back assembly
(1pc)



(B) Front legs-(2pcs)
(underneath the seat - inside)

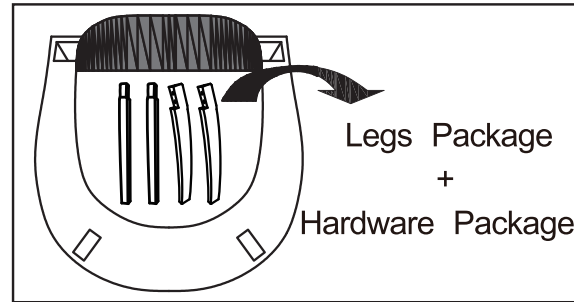


(C) Back legs-(2pcs)
(underneath the seat - inside)



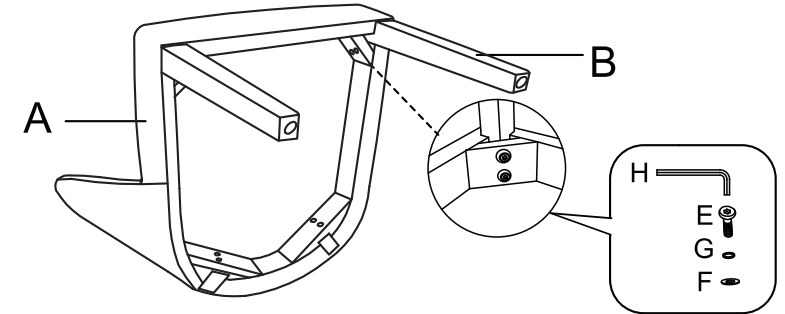
DO NOT FULLY TIGHTEN SCREWS AND BOLTS UNTIL THE ENTIRE ITEM IS COMPLETELY ASSEMBLED

STEP 1



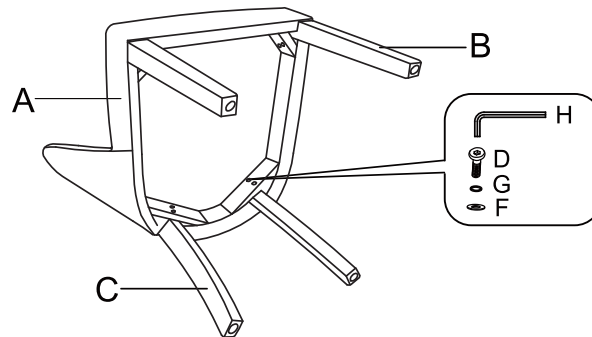
Step1: Open the zipper on non-woven cover underneath the seat, then take out the legs and hardware pack. Make sure you have enough legs as parts list and enough hardware as hardware list.

STEP 2



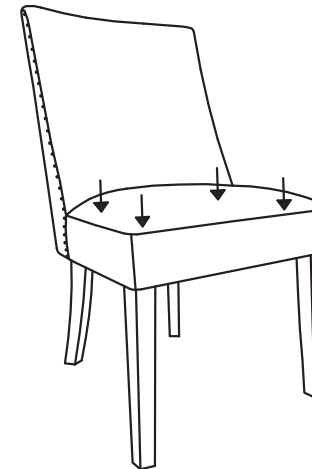
Step2: Put the screws in the holes, tighten the screws, but not too tighten, 90% is ok.

STEP 3



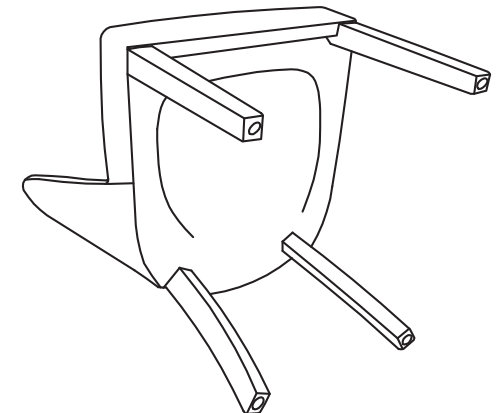
Step3: Put the screws in the holes, tighten the screws, but not too tighten, 90% is ok.

STEP 4



Step4: Then adjust the balance of this chair, tighten all the screws to 100%.

STEP 5



Step5: Finally, Close the zipper on non-woven cover underneath the seat.

HARDWARE LIST

Screw D



(1) M8X55MM
(4PCS)

Screw E



(2) M8X70MM
(4PCS)

Flat washer F



(3) 8pcs

Spring washer G



(4) 8pcs

Allen key H



M8
(5) 1PC